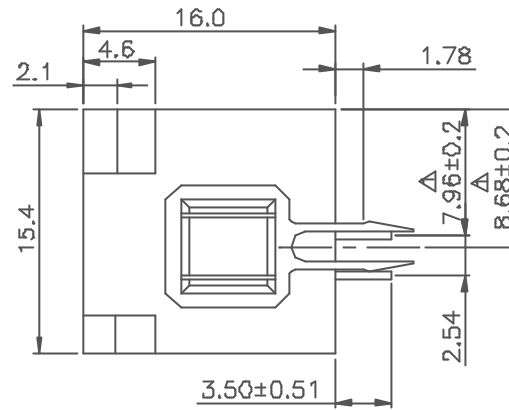
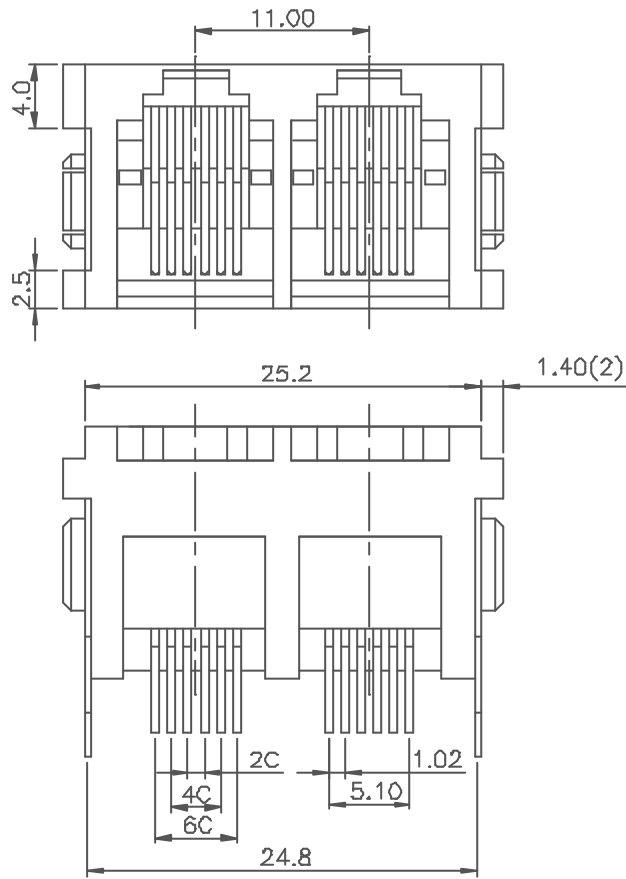


A1RFRD10



REVISION RECORD				
REV	ECO	DESCRIPTION	DRFT	CHKD
△		設計變更	SYANG	4/21/98
△		料號修改	RACHEL	12/28/98
△		ADD PART NO. OPTION	CHI	1/8/02

NOTES:

ELECTRICAL:

- VOLTAGE RATING : 125 VAC RMS.
- CURRENT RATING : 1.5 AMP.
- CONTACT RESISTANCE : 30 MILLIOHMS MAX.
- INSULATION RESISTANCE: 500 MEGOHMS MIN @ 500 VDC.
- DIELECTRIC STRENGTH : 1000 VAC RMS 60Hz, 1MIN.

MECHANICAL:

- HOUSING MATERIAL : GLASS FILLED POLYESTER UL94V-0.
- CONTACT MATERIAL : PHOSPHOR BRONZE Ø0.46mm.
- PLATING : GOLD PLATING OVER NICKEL.
- OPERATING LIFE : 750 CYCLES MIN.
- PCB RETENTION PRE-SOLDER : 1 LB MIN.
- PCB RETENTION POST-SOLDER: 10 LBS MIN.

ENVIRONMENTAL:

- STORAGE: -40°C TO +85°C.
- OPERATION: 0°C TO 70°C.

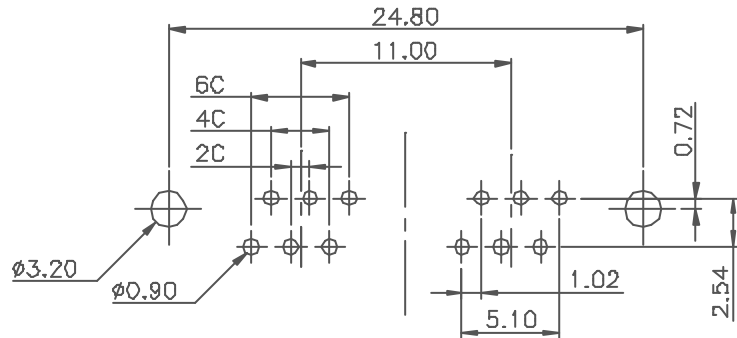
MATES WITH MODULAR PLUG CONFORMING TO FCC PART 68, SUBPART F.

CUL FILE NO. E163191

△ PART NUMBER: E5H6X-20AX1X

NO. OF CONTACT	1- 3u"	2- 6u"
2-2 CONTACTS	3-15u"	4-30u"
4-4 CONTACTS	5-50u"	6-Pd 20u"
6-6 CONTACTS		

- 1-A06-0080 Black
- 2-A06-0600 Gray
- 4-A06-0110 Gray
- 5-A06-1020 White



T=1.60mm

PC Board Layout Component Side Shown

MM (INCH)	DFTD JAMIE	DATE 12/9/97
TOLERANCES EXCEPT AS NOTED	CHKD	DATE
	MFG	DATE
	APPL	DATE
MATERIAL :	QTY :	
ANGLES ± 0.5	FINISH :	
THIRD ANGLE PROJECTION	SCALE : 3:1	

FULL RISE ELECTRONIC CO., LTD

TITLE
TOP ENTRY METAL FOOT PCB JACK

DRAWING NO. 5-0354-2 SIZE A3 REV 1/8/02

/PART NO. SEE NOTES SHEET 1 OF 1

8

7

6

5

4

3

2

1

A

B

C

D

E

F

G

H